

*BeachTech*<sup>®</sup>

Beach cleaners

# BEACHTECH BEACH CLEANERS

GROUND-BREAKING TECHNOLOGY FOR CLEANER BEACHES





## Dream beaches for your guests

Paradise beaches. For relaxation, sunbathing, dreaming and games for the children. Always as though they were the first to discover them. Every day like new. Free of cigarette stubs, pieces of glass and shells, plastic bottles or flotsam – BeachTech devices clean thoroughly.

BeachTech means increased recreational value for your guests. For satisfied tourists who look back on their holiday with pleasure and cherish the memories of their days on the beach. Because we are dedicated to this task: Cleaner beaches and satisfied guests through cost-effectiveness and efficiency in beach cleaning.



Satisfied guests

Cleaner beaches

Patented cleaning technology

Multi-functional use



02

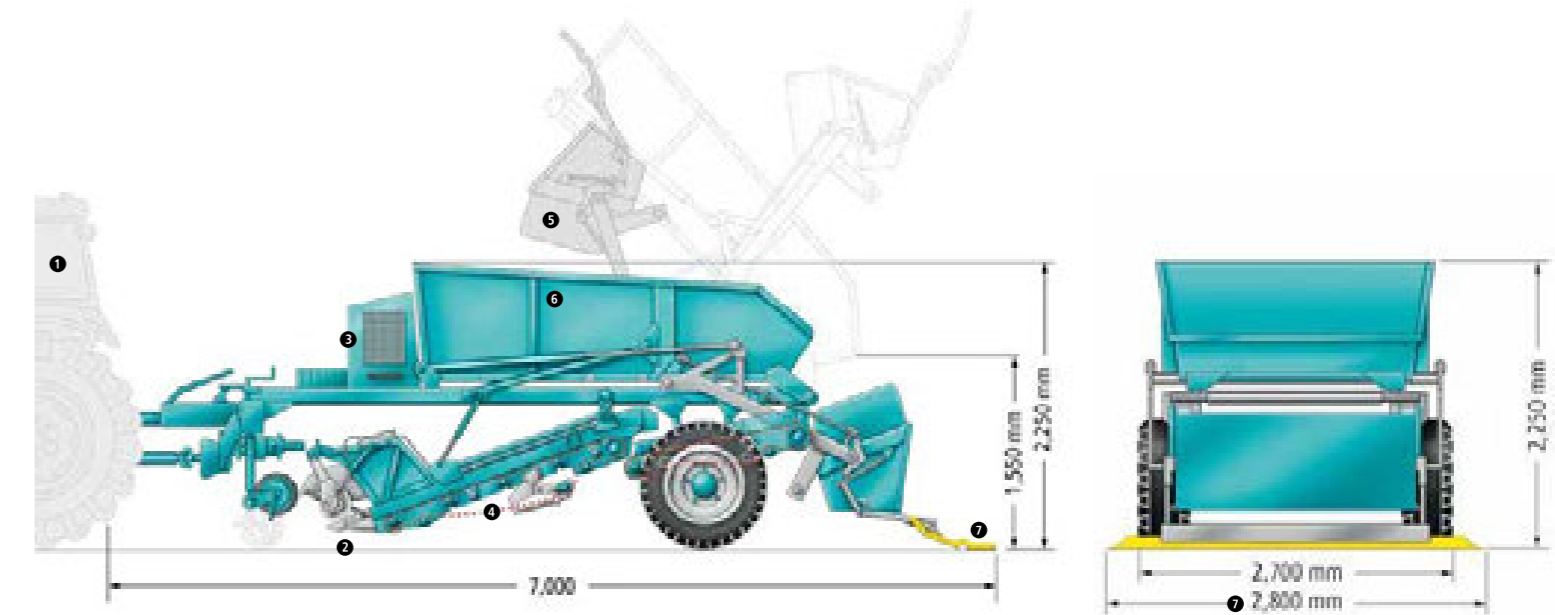
## BeachTech 3000 Power and volume

### Ideal for large beaches

The BeachTech 3000 beach cleaner is used for cost-effective and efficient cleaning of large and expansive beaches. With a working width of 2.50 m, the BeachTech 3000 achieves coverage of up to 30,000 m<sup>2</sup>/h. The 2-belt screening system facilitates an extremely high screening capacity. The loading volume of 4.7 m<sup>3</sup> guarantees a large operating range: there is no need for interim trips to the unloading station.

### Non-stop perfection

Two hydrostatic pumps move the pick-up roller and the two screening belts. The angle of the first screening belt and the depth of the pick-up roller are set hydraulically via a gear pump. Lowering the screening-raking unit fixes the depth setting and the cleaning method. Waste is moved to the first screening belt during travel, and the sand is then sifted using vibrations. The residual waste moves across the second screening belt into the collecting tank and the dumper.



03



### 1-man operation

Control of all working processes via remote control in the driver's cab.



### Working width

Working width of 2.50 m for coverage of up to 30,000 m<sup>2</sup>/h.



### Under the hood

Tank, radiator and control block are quick and easy to access for all inspection and service work, and for emergency operation.



### 2-belt screening system

The 2-belt screening system guarantees optimum sifting of the sand.



### Collecting tank

The collecting tank of 0.7 m<sup>3</sup> is emptied into the dumper.

### Large dumper

4-m<sup>3</sup> loading volume for maximum operating range.



### Finisher

To structure, aerate and then compress the sand.

See page 13 and the separate datasheets for options for the individual products.



## BeachTech 2500 The new generation

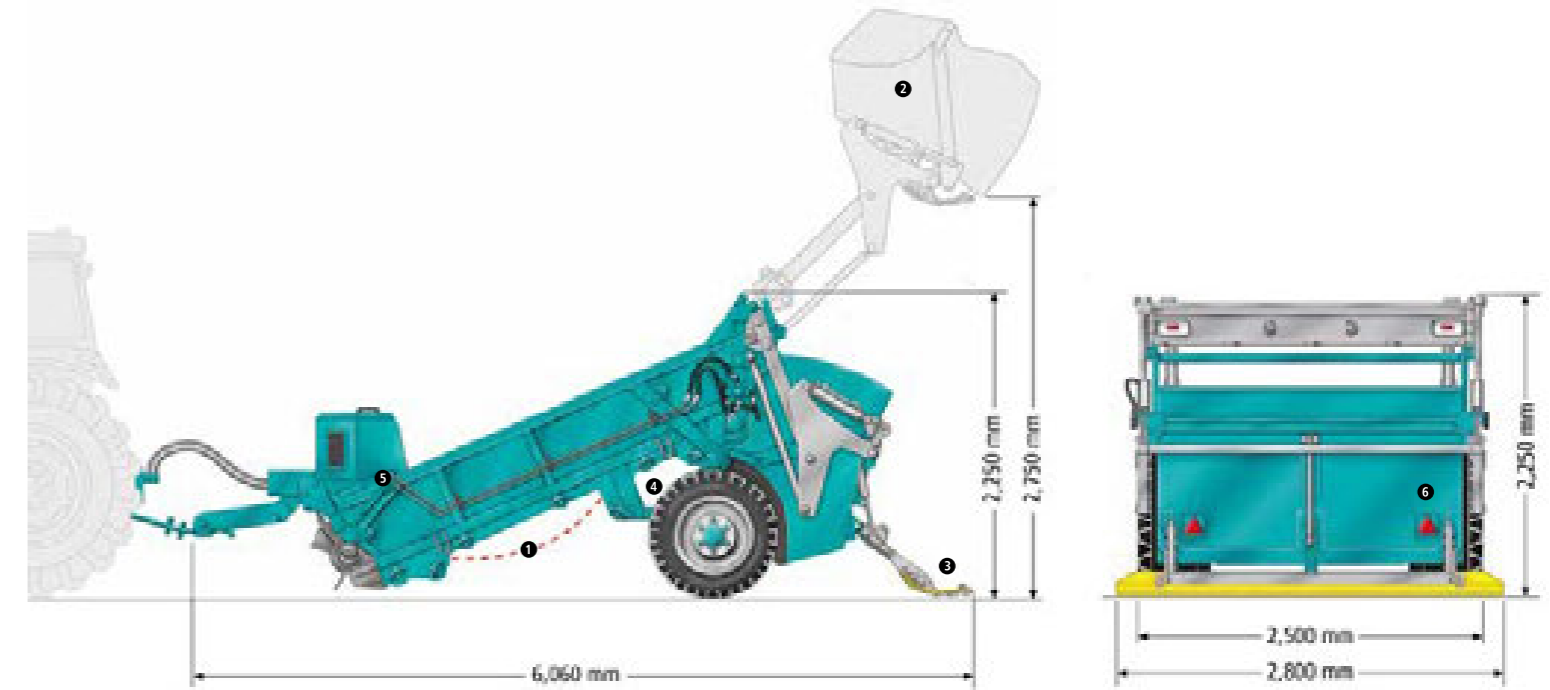
### Numerous innovations

Just as soon as we began development of the new BeachTech 2500, we took our customers' needs into consideration. In the process of development, we deliberately concentrated on the value of the intrinsic properties. Numerous innovations are the result.

The innovation of central importance is the patented, unprecedented composite screening belt. By the use of additional drive belts and crossbars, the composite screening belt has a higher operational performance while at the same time featuring a longer service life.

Thanks to the innovative design engineering, the screening belt no longer stretches, so it never has to be shortened.

Further features of the BeachTech 2500 make work easier. The axle design, for example, provides a great deal of room for servicing, and the kinematics ensure easy unloading of the waste container while the remote control makes for easier operation. These are just a few of the advantages of the BeachTech 2500!



**1 Composite screening belt**  
**Patented and innovative**  
No stretching, increased operational performance thanks to additional drive belts and crossbars. Longer service life as a result of minimized material wear.



**2 Waste container**  
**Reinforced design**  
Careful attention paid to every detail of the fastener for high stability without lateral movements as well as an improved application of force. Greater unloading height of 2,750 mm thanks to the new hinged function.



**3 Finisher and kinematics**  
Completely reworked, improved hinged function, easier unloading, adapted hydraulics, favorable for road travel.



**4 Axle support**  
**New axle design**  
More room for servicing.



**5 Remote control**  
**Simplified handling system**  
Only one dual-action circuit of the auxiliary tractor hydraulics (in standard operation). Improved operation thanks to easy-to-understand, clearly assigned functions.



**6 LED lights**  
Standard equipment, long service life, rugged.

You can find options on page 13 as well as on the separate data sheets of the individual products.



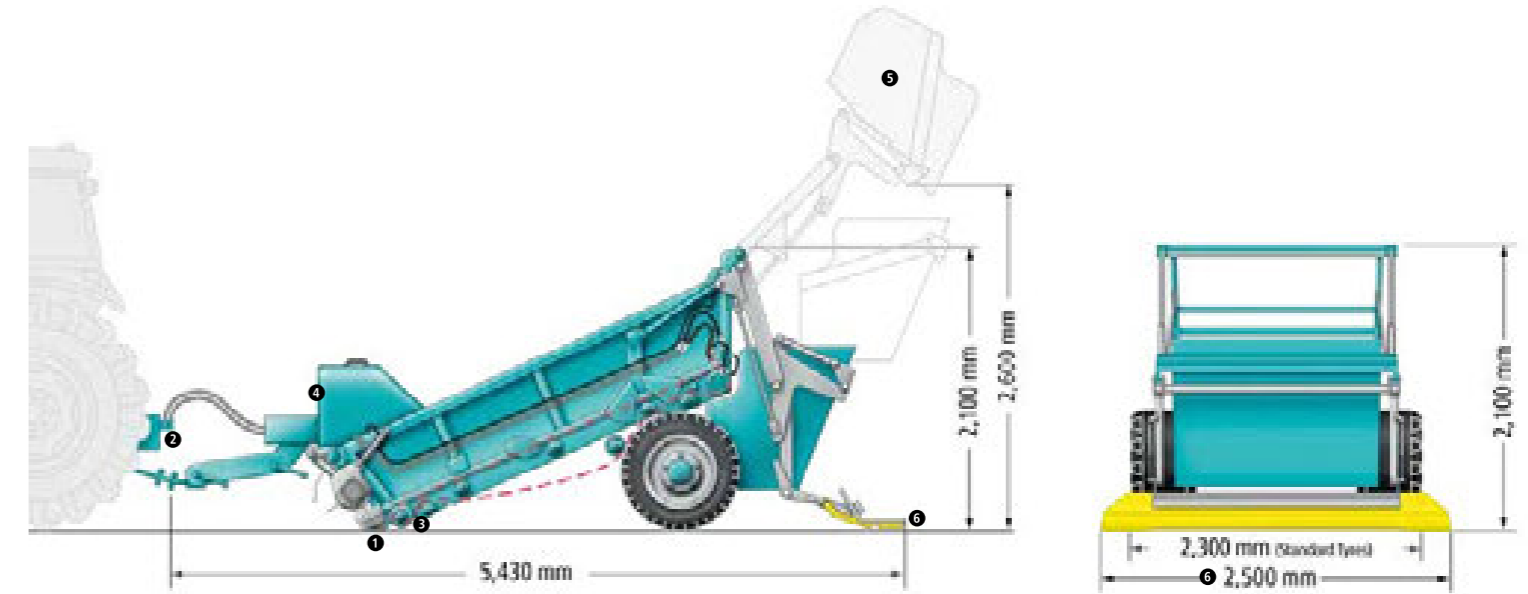
## BeachTech 2000 Compact and agile

### At home on medium-sized beaches

The compact BeachTech 2000 is designed for medium-sized beaches. With a working width of 1.85 m it covers up to 22,000 m<sup>2</sup>/h. The agile beach cleaner can also handle tight access roads and narrow sections of beach. Another plus: like all BeachTech models it can be approved for road travel.

### Triple shaken

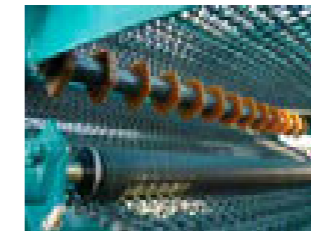
The quiet, fully hydraulic drive with cooling system moves the pick-up roller and a long screening belt. Three eccentric shafts create a vibration process, which sifts out even the finest particles of dirt. Finally, the waste is moved along the screening belt into the collecting tank. The unloading height of 2.60 m means the waste can be tipped directly onto a truck or into a trailer.



**1 Working width**  
Working width of 1.85 m for coverage of up to 22,000 m<sup>2</sup>/h.



**2 Spline-mounted pump**  
The spline-mounted pump enables the BeachTech 2000 to handle even tighter curves.



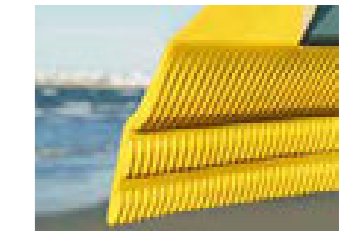
**3 Tension roller**  
Tensioning of the screening belt prevents a loss in performance.



**4 Under the hood**  
Tank, radiator and control block are quick and easy to access for all inspection and service work.



**5 Collecting tank**  
The collecting tank has a loading volume of 1.5 m<sup>3</sup>. Unloading height of 2.60 m (in DIN containers or directly onto a truck).



**6 Finisher**  
To structure, aerate and then compress the sand.



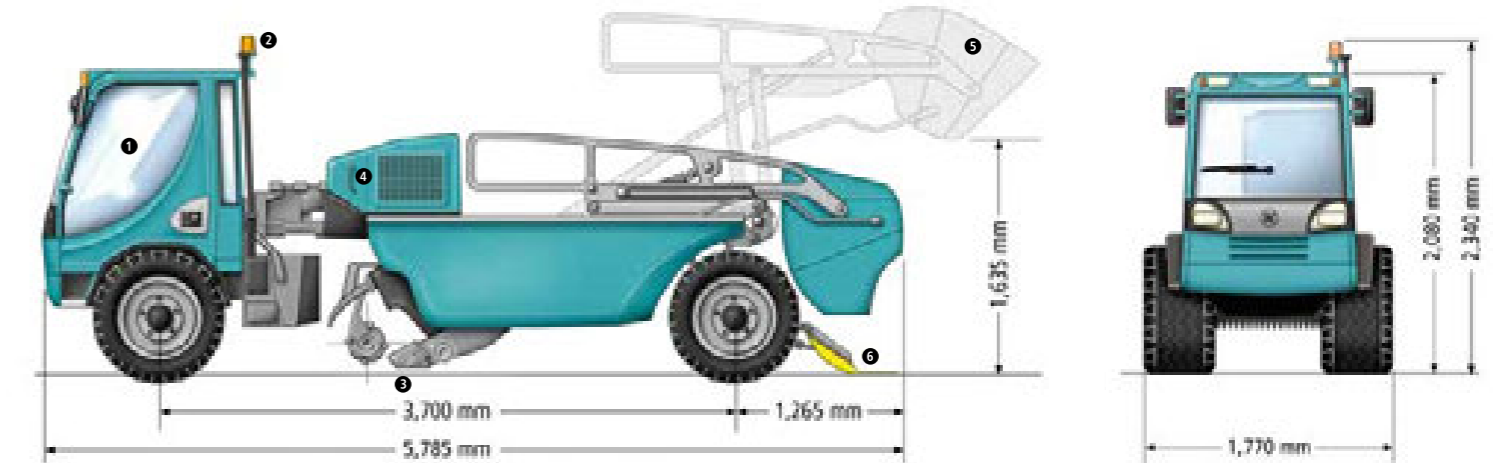
08

## BeachTech Marina The multi talent

### Tractor and trailer in one

The self-propelled BeachTech Marina sets standards when it comes to agility, manoeuvrability and quietness. Thanks to articulated front-wheel drive and connectible active rear-wheel drive, it has a sensationally small turning circle. With a powerful turbo diesel engine, hydrostatic all-wheel drive and low-pressure tyres, nothing gets in the way of the BeachTech Marina.

As the BeachTech Marina can be registered for road travel, you can use it anywhere you like. So much flexibility means the highest cost-effectiveness.



09



### 1-man operation

All vehicle functions are controlled directly from the cab.

### Safety

The BeachTech Marina is equipped with all safety features (acoustic warning alarms in the event of incorrect operations, reversing alarm, electrically operated exterior mirrors for optimum visibility, warning beacons and seatbelts).

### Working width

Working width of 1.40 m for coverage of up to 15,000 m<sup>2</sup>/h.

### Under the hood

Tank, radiator and control block are quick and easy to access for all inspection and service work.

### Collecting tank

The compact collecting tank has a loading volume of 0.5 m<sup>3</sup>.

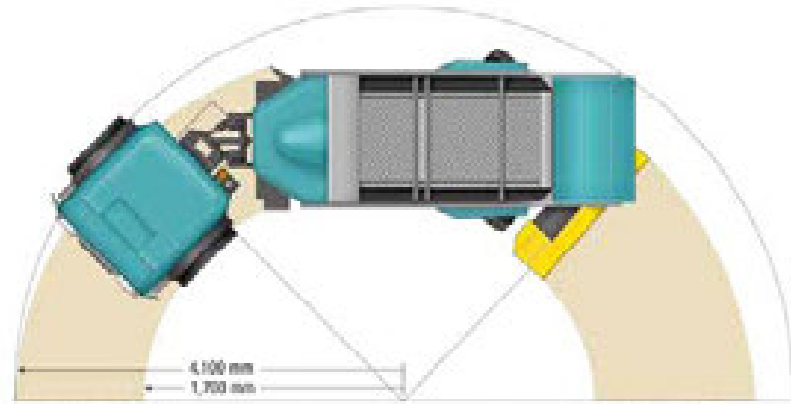
### Hydraulically adjustable finisher

The finisher reliably follows the cleaned track even around curves when rear-wheel drive is activated.

See page 13 and the separate datasheets for options for the individual products.

## BeachTech Marina

### Effortlessly around any obstacle



#### Small turning circle – big impact

The special feature of the BeachTech Marina is that it can handle every curve and every corner. Our innovative vehicle concept: Articulated front-wheel drive and connectible active rear-wheel drive. This reduces the turning circle during cleaning to an inner radius of just 1.70 m. Thus, the Marina can even clean in tight spaces around sun loungers.

#### Road approval

Beach hopping is no problem for the BeachTech Marina. Thanks to road approval potential, it can travel from one beach to another – flexible use for the greatest cost-effectiveness.

#### Customised cockpit

The ergonomically designed cockpit and the joystick make it easy to control. Large electrically operated mirrors ensure excellent all-round visibility. The comfortable two-seater driver's cab is available with folding roof or air conditioning.

## BeachTech Marina

### Accessories



#### Front hitch

Thanks to the optional front hitch (3-point mounting Cat. II) for a range of attachments, the BeachTech Marina becomes a true multi talent.



#### Roller broom

Alongside the clean beach, carefully cleaned streets, paths and squares are also important. The roller broom turns the BeachTech Marina into the perfect road sweeper.



#### Water sprayer system

Dampening the sand surface reduces the formation of dust.



#### Screening rake

The screening rake enables you to loosen compacted sand, shift large sections of sand and level sandcastles.



#### Lawnmower

3 rotors and rubber support wheels ensure even mowing results.



#### Clearing blade

Used for levelling the sand surface or for various other shifting and clearing tasks.

## Patented cleaning technology

### Beach cleaning on any sand



Raking technology



Screening technology



Combined cleaning technology

#### The right answer for any contamination

Cigarette butts, pieces of glass, plastic bottles, flotsam or seaweed – thanks to the patented BeachTech raking, screening and combined cleaning technology, nothing is left behind. The raking technology means that damp sand can be cleaned to the optimum and dry sand can be processed with high speed. The screening technology involves removing a thin layer of dry sand and cleaning it of even small contaminants (e.g. cigarettes).

#### The non-stop switch

With the combined cleaning technology the driver can combine both cleaning methods in a continuous operation. The switch between raking, screening and mixed cleaning occurs non-stop. The vehicle is ready for all areas of the beach thanks to the variable use of the different cleaning technologies.

#### Raking technology

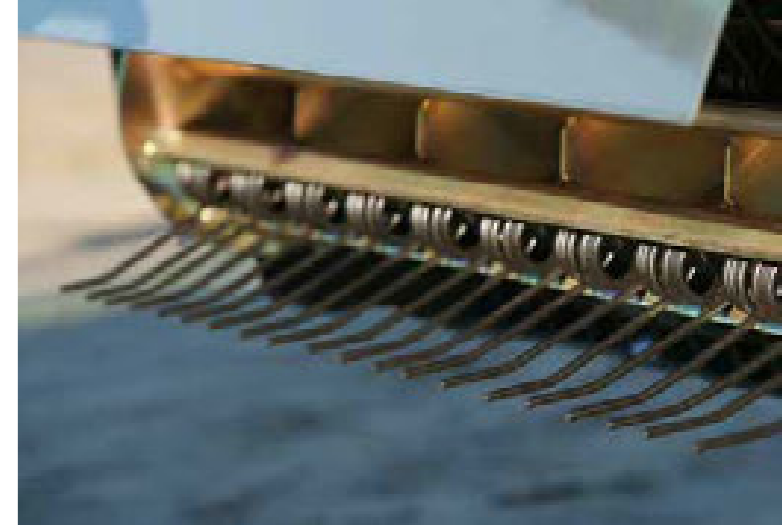
- Sand: wet and dry
- Surface cleaning
- Coarse contaminants (e.g. seaweed)

#### Screening technology

- Sand: dry
- Surface and deep cleaning
- Small contaminants (e.g. cigarette stubs, bottle tops and pieces of glass)

#### Combined cleaning technology

- Sand: dry to damp
- Surface and deep cleaning
- Coarse and fine contaminants



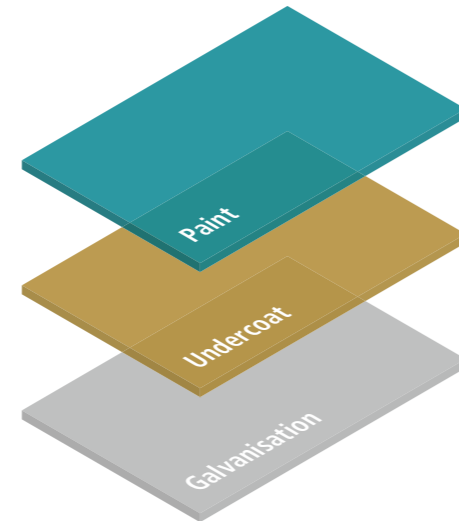
# Corrosion protection

## Built for use at the seaside



### Robust from the ground up

Every part of all BeachTech vehicles is designed to withstand the high demands of saltwater, constant contact with abrasive sand, salty air and high atmospheric humidity. The tried-and-tested structural components also remain in good order after long periods of use. They are galvanised against corrosion, with a 2-component EP-undercoat filler, and protected against the weather by 2-component acrylic paint.



#### Paint

2-component acrylic paint, sea water resistant

+

#### Undercoat

2-component EP-undercoat filler

+

#### Galvanisation

Corrosion protection guaranteed even if layer of paint is slightly damaged

=

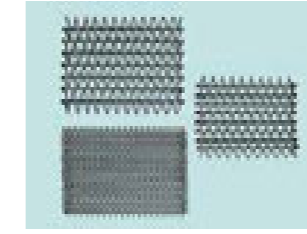
High-quality corrosion protection  
 Hard-wearing components  
 Low-maintenance power units  
 Long service life  
 Reliable availability  
 Minimised maintenance costs

## Standard equipment



### Spring tines

The spring tines can be replaced individually and are very flexible. For low wear and low maintenance costs.



### Screening belts with different mesh sizes

Screening belts are available in three different mesh sizes. This means the cleaning concept can be perfectly tailored to the local conditions.



### Composite screening belt

No stretching (no shortening necessary), increased service life, overload prevention, no tensioning device required. Currently available for the BeachTech 2500.



### Eccentric shafts

Variety of shapes, diameters and profiles to ensure optimum sand sifting.



### Maintenance-free bearings without lubricating nipples

No need for regular re-lubrication.

## Options \*



### Length compensation system

This system, suitable for the BeachTech 2000, compensates a screening belt extension of approx. 0.80 m – which corresponds to up to 500 operating hours.



### Sensing wheels

These are available for the BeachTech 2000, BeachTech 2500 and BeachTech 3000. They ensure constant depth control on uneven terrain.



### Air conditioning

For us the driver is crucial. That's why the BeachTech Marina can be fitted with air conditioning as an optional extra. Ensuring the driver can keep his cool even in the hottest temperatures.



### Camera

The optional camera system improves visibility of the pick-up shaft or the collecting tank. This helps the driver to ensure that the correct cleaning height and cleaning mode are selected.

### Options

- Hydraulic brake
- Power takeoff – mechanical drive shaft (for BeachTech 2000 and BeachTech 2500)

Additional versions available upon request.

\* model-specific



## It picks up everything Whether rubbish, seaweed or stones

- ❶ Perfectly cleaned, whether beach, racecourse or water filtration basin
- ❷ Screening belts with customised mesh sizes pick up every object
- ❸ Stones of different sizes are no problem thanks to BeachTech
- ❹ BeachTech will also deal with large quantities of seaweed
- ❺ Easy unloading into the collecting tank
- ❻ Even the smallest pieces are reliably collected



## Alternative uses Many challenges – one vehicle

### ❶ Oil removal

Raking is counter-productive for beaches contaminated with oil, as the spring tines break up the oil clumps or move them into deeper, clean layers of sand. That's why BeachTech uses no tines for oil removal work and gently scrapes the contaminated surface with the pick-up blade. The oily layer can then be separated from the uncontaminated sand using the proven screening technology and extremely fine screening belts. The patented technology of the BeachTech beach cleaners as well as the use of the Cherrington screening technology ensure that most of the sand will be recovered.

### ❷ Cleaning racecourses

Kässbohrer sand cleaners remove all impurities from the soils of equestrian facilities and riding areas. In just a single work step, they loosen and smooth any type of surface that can be screened. Remove horse manure as well as rocks or miscellaneous dirt particles.

### ❸ Cleaning water filtration basins

The Kässbohrer sand cleaners - available in different models - aerate the soil while simultaneously reducing the growth of weeds and plants. Unlike conventional methods, when using Kässbohrer technology, sand is not gradually removed over the years.



### BeachTech and Cherrington have joined forces

The portfolio consists of the best models of both brands. This acquisition has brought decades of expertise and experience from both BeachTech and Cherrington to one location in Laupheim, Germany. Cherrington vehicles are an efficient and economical option with a wide variety of application areas.



You can find further information on our Cherrington vehicles on our website or talk to us in person.

► [www.beach-tech.com](http://www.beach-tech.com)



## Global service Representatives in over 50 countries

### Always there for you.

Our global sales and service network guarantees rapid assistance and spare part supplies. With representatives in over 50 countries. Our central spare parts warehouse in Laupheim despatches every day. We have more than 20,000 parts in stock here for fast despatch.

Our extensive aftersales services are complemented by an extremely efficient concept of training, advice and swapping experiences. This makes you largely independent. Our training and information centre offers multi-day courses for customer employees, workshop personnel and drivers. Optimum use, servicing, reduced operating costs – that's what we focus on.

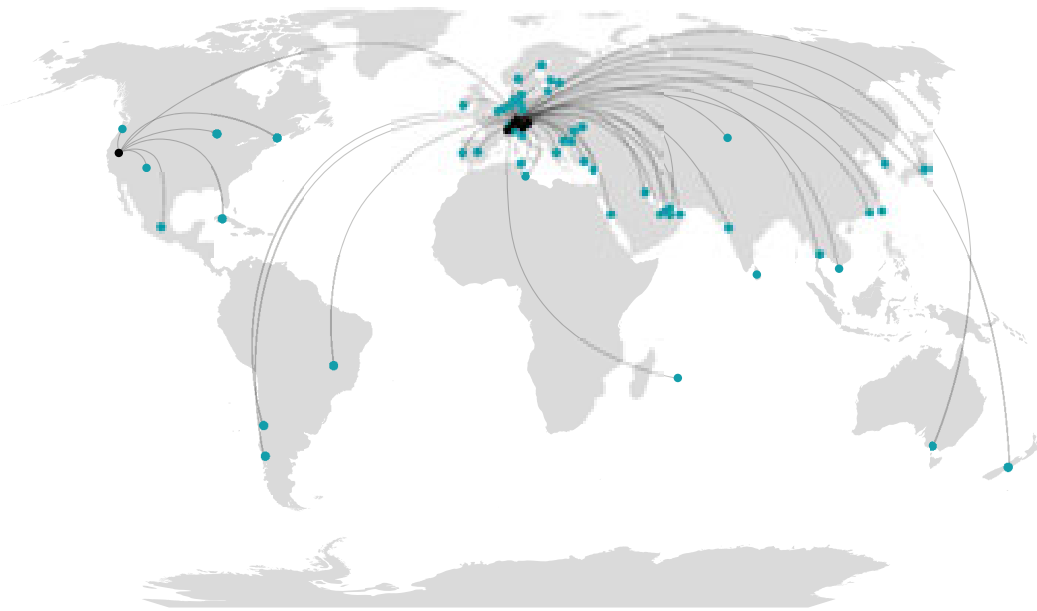
For many customers the "first-class service" from Kässbohrer Geländefahrzeug AG is a major factor in their investment decision. Direct contact and local service are right at the top of the list. What our customers value most is direct contact with a skilled expert.

We were able to expand this support concept internationally in the last financial year due to an increase in service staff and workshops.



*BeachTech*<sup>®</sup>

# THE GLOBAL BEACHTECH NETWORK



## Kässbohrer Geländefahrzeug AG

Kässbohrerstrasse 11  
88471 Laupheim, Germany  
Phone +49 7392 900-0  
Fax +49 7392 900-445  
info@beach-tech.com  
www.beach-tech.com

## Italy subsidiary

Kässbohrer Italia S. r. l.  
Via Galileo Galilei, 32  
39100 Bolzano  
Phone +39 0471 93-3027  
Fax +39 0471 93-2975  
info@beach-tech.it  
www.beach-tech.it

## Austrian subsidiary

Kässbohrer Austria GmbH  
Garnei 173  
5431 Kuchl  
Phone +43 6244 4001-0  
Fax +43 6244 4001-11  
info@beach-tech.at  
www.beach-tech.at

## France subsidiary

Kässbohrer E.S.E.  
455 Route de Marais  
ZAC Porte de Tarentaise  
73790 Tours-en-Savoie  
Phone +33 479 1046-10  
Fax +33 479 1046-40  
info@beach-tech.fr  
www.beach-tech.fr

## Swiss subsidiary

Kässbohrer Schweiz AG  
Werkmatt 1  
6460 Altdorf  
Phone +41 874 85 00  
Fax +41 874 85 50  
info@pistenbully.ch  
www.beach-tech.com

## American subsidiary

Kässbohrer All Terrain Vehicles Inc.  
8850 Double Diamond Parkway  
89521 Reno, Nevada  
Phone +1 775 857-5000  
Fax +1 775 857-5010  
contact@pistenbullyusa.com  
www.beachtechusa.com



On the details in this catalogue: there may have been product changes after this issue went to print. The images also include accessories and special equipment, which are not supplied as standard. The printing process may cause colour deviations. Statements on compulsory, legal and fiscal regulations and implications are only valid for the Federal Republic of Germany. Therefore, please ask your contact at Kässbohrer Geländefahrzeug AG for the final status. Printed in Germany.



BeachTech is a registered trademark of Kässbohrer Geländefahrzeug AG.



KÄSSBOHRER GELÄNDEFahrzeug AG

